



CD-756-KMD - Ductile Iron Kitemark Manhole Cover & Frame

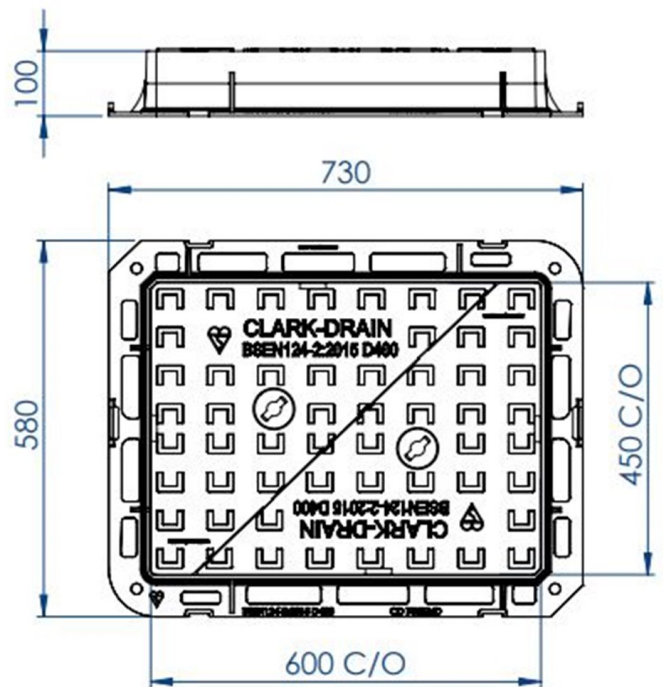
KEY FEATURES

- BSI Kitemark certified to BS EN124 2015
- Non-rock 3 point suspension covers
- Intergral Lifting key Holes



CD-756-KMD - Specifications

Product Weight (Kg)	47
Cover Weight per pair (Kg)	30
Clear Opening	600 x 450
Overall Dimensions	730 x 580
Depth	100
Material	Spheroid Graphite Iron Grade EN-GJS-500-7 to BS EN 1563:2011 Temporary Bitumen based paint coating to BS 3416:1991
Load Rating	D400
Polished Skid Resistance Value	60+
Frame Pressure Bearing Area (N/mm ²)	4.5
Application	Non carriageway use



CD756KMD/V0.1/30-06-2023

Due to our continuous product improvement program features and sizes may be subject to change without notice.

CLARK DRAIN, STATION ROAD, YAXLEY, PETERBOROUGH, PE7 3EQ, TEL. +44 (0) 1733 765317